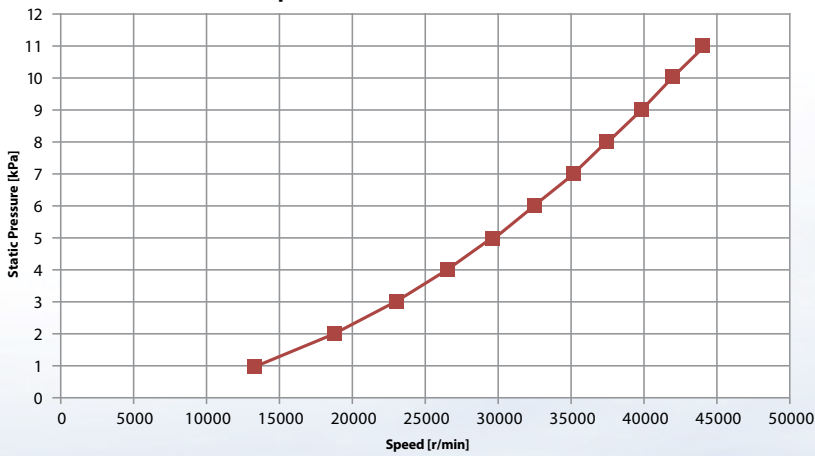




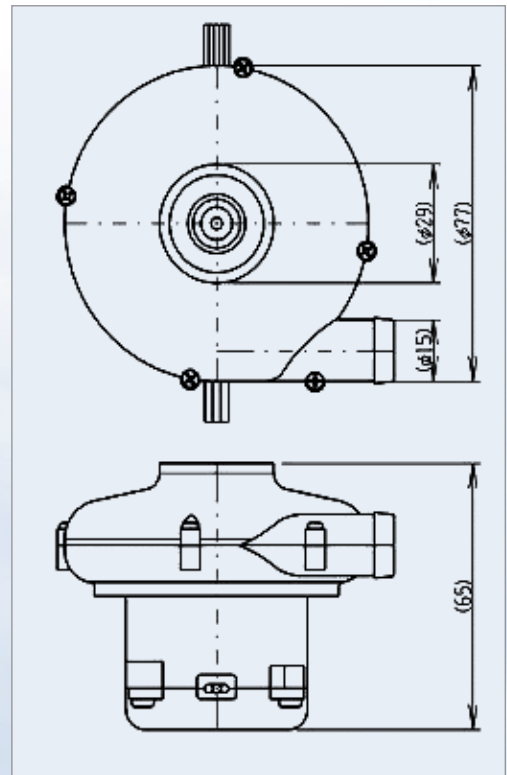
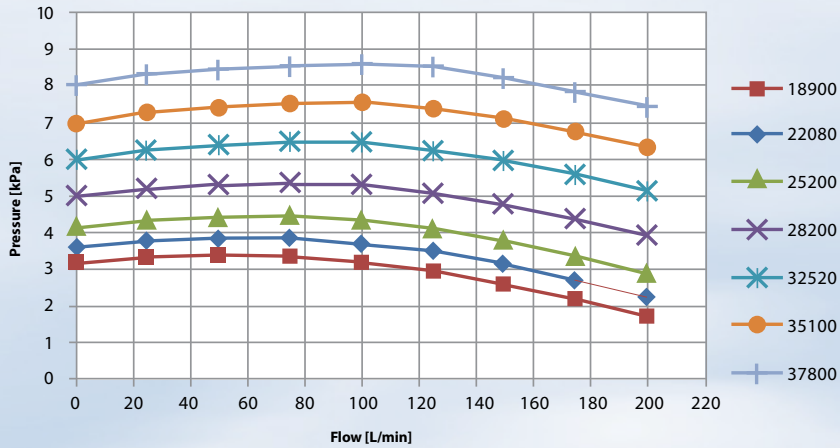
## Shinano Kenshi Blowers for Respiratory Devices

- Compact Size and Light Weight
- High Pressure and High Speed Rotation
- Hall Sensor

**Speed - Static Pressure Characteristics**



**Flow - Pressure Characteristics**



**Power-Supply Voltage - 24 VDC**

**Rotation Speed - 45,000 r/min max**